

# Airpura

AIR PURIFIERS

# H600

Allergies & Asthma

**Trap particles that can trigger asthma and allergies with true Hepa filtration**

The Airpura H600

Specially designed for powerful particle filtration, the Airpura H600 offers a large true HEPA filter together with a HI-C carbon weave filter to add basic odor and chemical filtration. A pre-filter traps larger particles.

An excellent choice for asthma and allergies  
Helps remove the airborne particles that trigger attacks.

A germicidal UV lamp available as an option

Sterilizes antigens and pathogens.

Situated in the filter chamber for maximum efficiency.

Removes:

Pet dander, dust mites, pollen, mold spores, asbestos fibers, droplets.

Effective for up to 2000 square feet

Cleans the air approximately every 30 minutes.



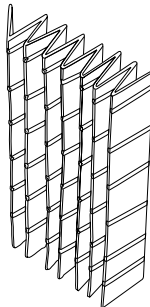
## **The Airpura H600**

Available in  
White / Black / Cream

The Airpura Limited Warranty  
5 years parts 10 years labor

### **High Quality HEPA Filter**

- 40 square feet of filtration surface with 1" deep folds.
- The Hepa is warm rolled to avoid cracking at the folds and avoid leakage.
- Spacers keep the folds open and make sure that all the surface area is filtering.



### **Long Lasting Filters**

Hepa filters typically last 5 years in regular use.  
Pre-filters can be vacuumed from the exterior of the unit and should be changed every 12 months depending on use  
HI-C carbon weaves should be changed every 4-6 months depending on use

**Protect yourself from the harmful effects of airborne particles**

# Airpura

AIR PURIFIERS

# H600

Allergies & Asthma

## Technical Specifications

**Particle removal**  
40 sq ft true HEPA  
(Measured 1 side only)  
10 pleats per inch  
Pleats warm rolled  
with separators

**Odor and chemical Suppression**  
306 sq" HI-C carbon weave

**Air Flow 560 cfm**  
More cfm than any  
other home unit available

**Pre-filter**  
570 sq in x 1in

**Housing**  
Powder coat steel

**Size**  
23" x 15"

**Weight**  
35lbs total

**Voltage Options**  
115 or 220 volts

**Watts**  
120 on high 40 on low

**Sound Level**  
28.1 db on low (at 6 feet)  
62.3 db on high (560 cfm)  
(Room level 25.1)

**ETL Certified**  
Conforms to  
CSA C22.2 no 113  
ANSI / UL 507

Your Airpura Dealer

## Unique Features

- **True HEPA filter.** Traps 99.97% of particles as small as 0.3 microns. That's as small as some bacteria.
- **Hi-C Carbon Weave filter** for basic airborne chemical, gas and odor filtration
- **Cleanable pre-filter.** Simply vacuum through the mesh or change as necessary
- **Pressure seal** on the filter chamber ensures all the impurities pass through the filters and deliver a real 99.97% filtration.
- **Felt gaskets** seal the filter chamber. Maximize filtration with no rubber off-gassing found with other makes
- **All metal housing** ensures no plastic vapors are emitted
- **Variable speed motor** lets you choose your ideal level of filtration
- **Motor out of the air flow.** Most air purifiers blow the clean air over the motor and pick up impurities

## Filtration System

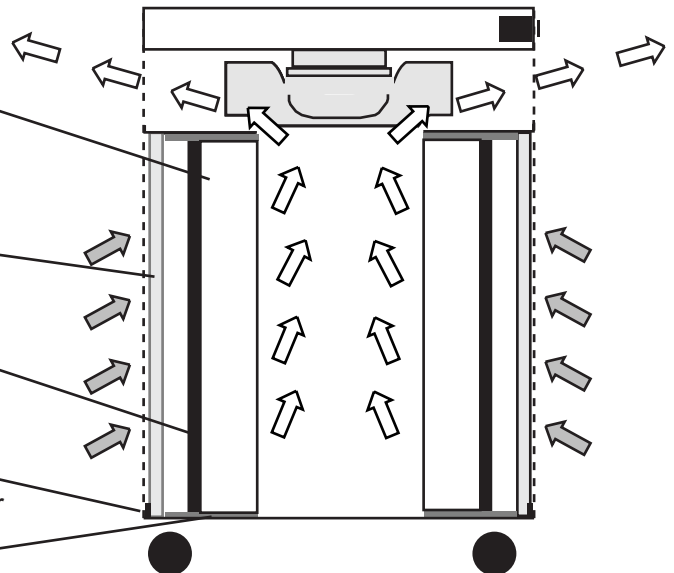
**True HEPA filter**  
Traps 99.97% of particles  
as small as 0.3 microns

**Cleanable pre-filter**  
Vacuum through grill and  
change every 12 months

**Hi-C Carbon weave**  
Absorbs airborne chemicals  
noxious gases and odors

**Unique Pressure seals**  
ensure integrity of filter chamber

**Felt gaskets**  
no rubber off gassing



**True HEPA filtration protects you against harmful airborne particles**