

Airpura

AIR PURIFIERS

V600

Specific Chemicals - VOCs

Trap Specific Airborne Chemicals - VOCs - as well as Particles

The Airpura V600

Traps specific airborne chemicals - VOCs - with enhanced, impregnated, activated carbon as well as particles with its metal capped true HEPA filter

Modern interiors release harmful chemicals

Formaldehyde from furniture, carpets

Ammonias from cleaning materials

Pesticides tracked in from outdoors

Benezene, toulene from heating fuels, paints and glues

Airborne chemicals in work areas

Work areas are often contaminated by chemicals released by manufacturing processes and office equipment. The resulting symptoms which may include headaches, drowsiness, rhinitis, other respiratory problems and the possible onset of cancers

A good investment

An enhanced chemical filtering system is a good investment to prevent the personal distress and productivity losses that may result

Ask our air quality experts

Airpura can recommend specially blended carbons to deal with your specific airborne chemical problem. Solutions for over 4000 chemicals are available

Effective for up to 2000 square feet

Recycles the air approximately every 30 minutes



The Airpura V600

Available in

White / Black / Cream

Airpura Limited Warranty

5 years parts 10 years labor

Long Lasting Filters

Carbon filters typically last up to 2 years depending on use

Hepa filters typically last up to 5 years in regular use.

Pre-filters can be vacuumed from the exterior of the unit and should be changed every 12 months depending on use

Protect yourself from harmful airborne chemicals and VOCs

Airpura

AIR PURIFIERS

V600

Specific Chemicals - VOCs

Technical Specifications

Odor, airborne chemical control

18 lbs enhanced, activated carbon 13" x 13" x 9"

Carbon bed

570 sq in x 2" deep

Particle removal

40 sq ft true HEPA (Measured 1 side only)
10 pleats per inch
Pleats warm rolled with separators
Metal capped: the most inert HEPA sealing system

Air Flow 560 cfm

More cfm than any other home unit available

Pre-filter

570 sq in x 1in deep

Size

23" x 15"

Weight

45lbs total

Voltage Options

115 or 220 volts

Watts

120 on high
40 on low

Sound Level

28.1 db on low (at 6 feet)
62.3 db on high (560 cfm)
(Room level 25.1 db)

ETL Certified

Conforms to
CSA C22.2 no 113
ANSI / UL 507

Your Airpura Dealer

Unique Features

- Pressure seal Airpura's unique pressure seal on the filter chamber ensures that all of the dirty air passes through the filters. Other systems allow leakage and do not achieve the 99.97% HEPA filtration rating
- Felt gaskets seal the filter chamber. Maximize filtration with no rubber off-gassing found with other makes
- All metal housing ensures no plastic vapors are emitted
- Backward curved motorized impeller eliminates the vibrations and noise associated with older motor and shaft set ups
- Variable speed motor lets you choose your ideal level of filtration
- Motor out of the air flow. Most air purifiers blow the clean air over the motor and pick up new impurities before exhausting it
- Unimpeded airflow simple and direct internal airflow avoids the air turbulence, inefficiency and noise associated with more convoluted systems
- Separate electrical parts chamber prevents any off gassing from capacitors, condensers or switches.
- Perforated steel exterior offers both a softer appearance and 360 degree air intake and distribution.
- Separately changeable filters The Hepa and carbon filters can be changed separately so you only change them when appropriate and save operating costs

Advanced Chemical Filtration System

Enhanced Impregnated Carbon filter

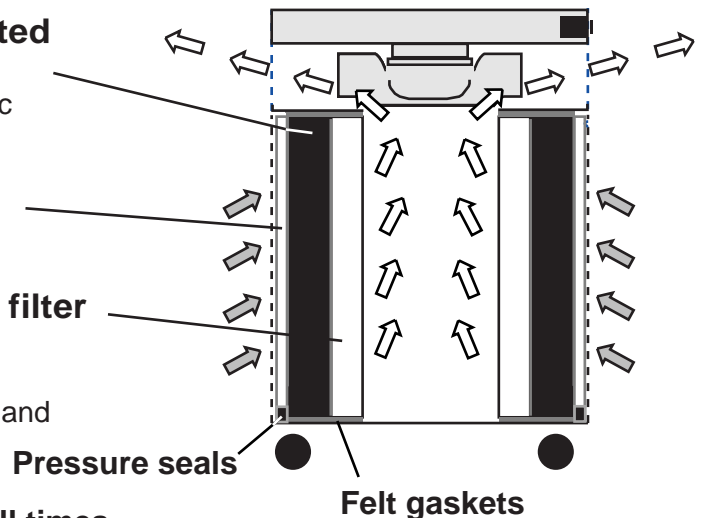
Absorbs VOCs and specific airborne chemicals

Cleanable pre-filter

Vacuum through grill and change every 12 months

Metal Capped HEPA filter

Traps 99.97% of particles as small as 0.3 microns
Metal caps: the most inert and environmentally friendly
HEPA sealing system



The importance of dwell times

for effective chemical and gas adsorption a deep carbon bed is important. Many systems offer 1" or less. The Airpura V600 has a 2" deep bed for effective filtration.

True HEPA Filters

Developed by the atomic energy commission to filter radio active particles as small as 0.3 microns

Enhanced Carbon

Premium quality activated carbon that has been specially treated to deal with specific chemicals especially VOCs

Effective, safe air purification for VOCs and specific chemicals